

## AHLF200

### ALTERNATING HEADLIGHT FLASHER

#### FUNCTION:

The microprocessor controlled AHLF200 is suitable for FIRE and other emergency vehicles. It has two outputs, each rated at 200W, to provide alternating LEFT-RIGHT headlight flashing for 12V or 24V negative earth vehicles. When the AHLF200 is on and the PARK light switch is off, the headlights flash alternately. The PARK lights over-ride the AHLF200, allowing both headlights to operate normally, regardless of the position of the "ON" switch. The AHLF200 may be used to flash either HIGH or LOW beams (to flash HIGH beam, swap HIGH and LOW beam labels in diagrams).

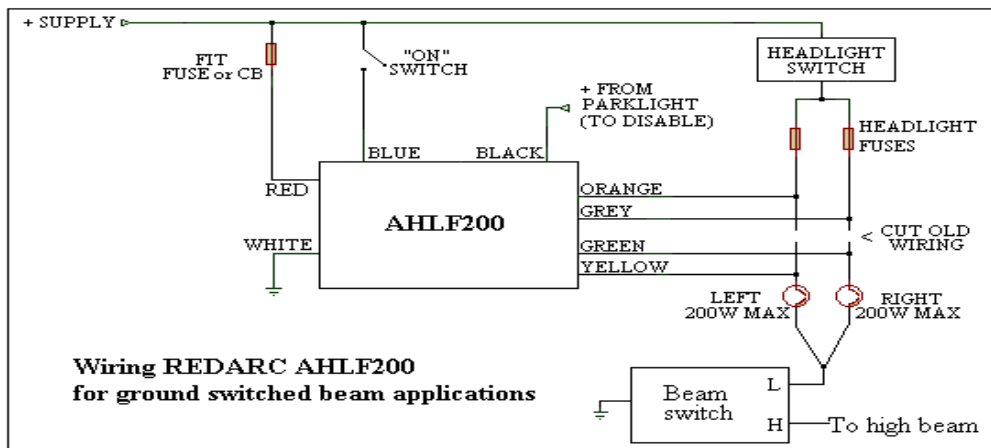
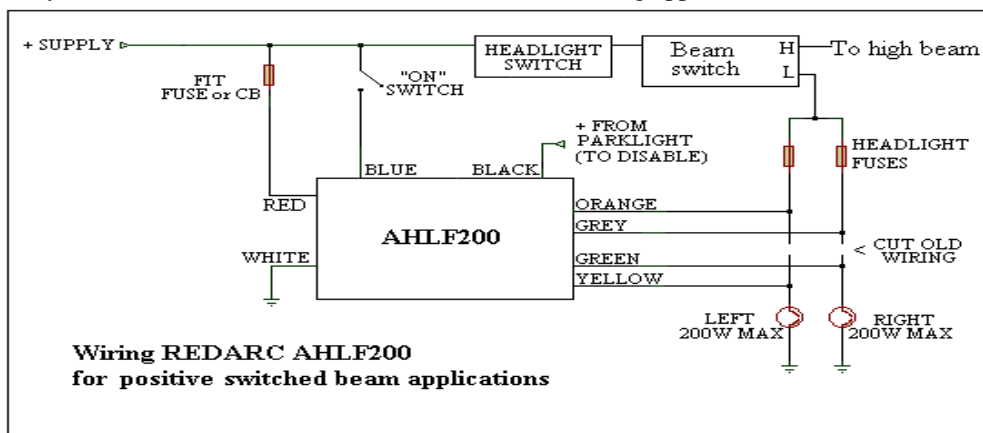
If the PARK light over-ride is not required, leave this input unconnected.

**The REDARC AHLF200 complies with ADR13. The standard flash rate is 90 flashes per minute.**

**NOTE: Other flash rates or patterns can be programmed at time of order.**

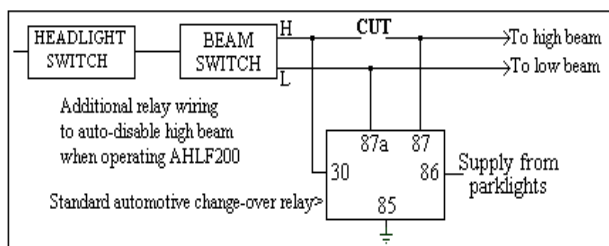
#### INSTALLATION:

The AHLF200 may be wired for POSITIVE or GROUND beam switching applications, as shown.



#### OPTIONAL WIRING:

If automatic disabling of HIGH beam is required, this circuit may be used with the addition of a standard automotive relay



Further information, please contact REDARC: Ph (08) 83224848, Fax (08) 83872889  
Email [power@redarc.com.au](mailto:power@redarc.com.au)