

TWO YEAR WARRANTY

This Two Year Warranty is subject to and shall not derogate from any mandatory statutory provisions to the contrary. In particular, this Two Year Warranty does not exclude, restrict or modify any condition or warranty that cannot be excluded by applicable legislation, including without limitation consumer protection legislation.

Redarc Electronics Pty Ltd at the Redarc Trust trading as Redarc Electronics ("Redarc") warrants to the original purchaser of the product(s) on the reverse side of this sheet ("Product") that are purchased from an authorised distributor or reseller ("Purchaser"), that the Product will be free, under normal use and maintenance, from defects in materials and workmanship affecting normal use for a period of TWO YEARS from the date of purchase ("Warranty Period"), subject to the conditions set out below ("Warranty").

1. Warranty

- 1.1 Unless otherwise stated in this Warranty, Redarc will at its sole discretion either replace or repair a Product that is defective in materials or workmanship within the Warranty Period without charge to the Purchaser. To the extent permitted by law, Redarc's determination of the cause of any defect will be conclusive.
- 1.2 While Redarc warrants, where applicable, that the Product is free from defects in materials and workmanship under normal use at the time of delivery, Redarc does not warrant that the Product will meet any user specific requirements or that the operation of the Product will be uninterrupted or error-free.
- 1.3 To the extent permitted by law, this Warranty contains the whole of the Redarc's obligations and any distributor and the agents, officers and employees of such distributor and of Redarc are not authorised to vary or extend the terms of this Warranty.
- 1.4 Redarc's Trading Terms contain important information about Redarc's liability for the Product. In particular these are set out at paragraphs 10, 11 and 13 of Redarc's Trading Terms.
- 1.5 The benefit of this Warranty is personal to the Purchaser and is not transferable.

2. Warranty void

Any of the following circumstances will render this Warranty void:

- 2.1 Failure to ensure proper maintenance of the Product or any associated equipment or machinery;
- 2.2 Failure to pay for the Product in full or comply with Redarc's Trading Terms;
- 2.3 If the Purchaser sells, leases or otherwise parts with possession of the Product;
- 2.4 If the Purchaser moves the Product to a new site;

3. Deemed second hand sales

The sale of the Product via an online auction (such as eBay), online store or other internet website by a party that is not an authorised distributor or reseller of the Product will be deemed to be a second hand sale and will render this Warranty void, in accordance with paragraph 2.3 of this Warranty, as Redarc has no control over the storage, handling, quality or safety of products sold by such persons.

4. Exclusions

This Warranty shall not apply to, or include, any of the following:

- 4.1 Any defect, damage, fault, failure or malfunction due to accident, misuse, abuse, movement of the Product to a new site, negligence, non-observance of any of the instructions supplied with the Product including the instructions on the reverse side of this sheet ("Operating Instructions") or local regulations on the part of any user, choice of location, improper installation, configuration or connection, faulty power supply, normal wear and tear or any occurrence outside of Redarc's control;
- 4.2 A Product that is not installed or maintained strictly in accordance with the Operating Instructions;
- 4.3 A Product that is installed, repaired or serviced by a person who is not a qualified auto electrician or electronics technician, or if non-approved parts have been fitted;
- 4.4 A Product that is used other than for any reasonable purpose for which it was manufactured, or is used in a way not specified by Redarc;
- 4.5 Deterioration due to normal use and exposure, including abnormal environmental conditions such as lightning strike, flood and extreme heat;
- 4.6 Any freight, packing and insurance expenses relating to transportation of the Product;
- 4.7 Any expenses relating to installation and/or removal of the Product; and
- 4.8 Any indirect or incidental damage of whatever nature.

5. Purchaser's obligations

- 5.1 The Purchaser must retain proof of purchase documentation for the Product.
- 5.2 Installation and maintenance of the Product and associated equipment and/or machinery is the responsibility of the Purchaser. The Purchaser must retain evidence that the Product was installed, and that proper maintenance has been performed on the Product, by Redarc or a qualified auto electrician or electronics technician, in accordance with the Operating Instructions.
- 5.3 The Purchaser must operate the Product in accordance with all of the Operating Instructions.
- 5.4 Upon discovery of a defect the Purchaser must return the Product to the distributor with full details of the nature of the defect. A written report describing the circumstances of failure must accompany the returned Product with proof of purchase which clearly shows the date and the place of such purchase by the Purchaser.
- 5.5 Removal of the Product must be effected by a qualified auto electrician or electronics technician to ensure that the Warranty remains valid.
- 5.6 The Purchaser must prepay shipping and transportation charges, and insure the shipment or accept the risk of loss or damage during such shipment and transportation.
- 5.7 Redarc will ship the repaired or replacement Product to the Purchaser freight prepaid.
- 5.8 If the Product is found to be working satisfactorily on return to Redarc, the Purchaser must pay Redarc's reasonable costs of testing and inspecting the Product in addition to shipping and transportation charges. The Product will be returned to the Purchaser on receipt of the amount charged.

FREE TECHNICAL ASSISTANCE

REDARC

THE POWER CONVERSION SPECIALISTS

23 Brodie Road North
Lonsdale

South Australia 5160

Phone: 08 8322 4848

Fax: 08 8387 2889

Email: power@redarc.com.au

Web: www.redarc.com.au

BUSF200 School Bus Headlight Flasher.



FUNCTION

The microprocessor controlled BUSF200 has five outputs for school bus hazard lights on 12V or 24V negative earth vehicles. The alternating outputs and strobe output draw their current from the main supply input, with a small current drawn by the "ON" switch. The alternating headlight outputs, the strobe output and the high beam disable operate only while the door is open. The alternating amber flashing lights ("WIG-WAG") outputs operate while the door is open and for 20 seconds after it is closed. The two "DOOR OPEN" inputs allow for either a positive or ground signal to trigger the BUSF200, depending on vehicle door switch wiring.

FREE TECHNICAL ASSISTANCE, contact Redarc Electronics
Ph (08) 8322 4848, Fax (08) 8387 2889
or Email power@redarc.com.au
Specifications are subject to change without notification.

RATINGS

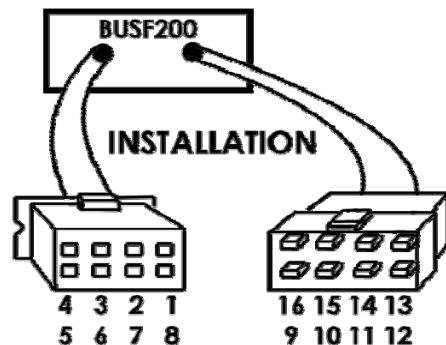
Each **SIDE** is rated at 200W, i.e. the left headlight and wig wag combined can be up to 200W (the same applies to the right side). The **ALTERNATING** outputs will not be harmed by overloads or short circuits as the **BUSF200** has an inbuilt automatic current limit. The unit should be mounted inside (E.g. under dash) and protected from excessive heat and moisture.

CONNECTIONS

The **BUSF200** has 16 connections to be connected as shown.

- 1 **BROWN** - Lo beam (GND Switch)
- 2 **N/C**
- 3 **ORANGE** - O/P to left wig-wag
- 4 **N/C**
- 5 **GREEN** - O/P to right wig-wag
- 6 **BLUE** - GND door Switch
- 7 **VIOLET** - O/P to strobe
- 8 **GREY** - +12/24V Supply
- 9 **WHITE** - +Supply door open switch
- 10 **BLACK** - ON switch, 12/24V
- 11 **BROWN/WHITE** - Right low beam O/P
- 12 **RED/WHITE** - Negative GND connection
- 13 **ORANGE/WHITE** - Left low beam O/P
- 14 **YELLOW/WHITE** - From high beam switch
- 15 **GREEN/WHITE** - To high beam
- 16 **BLUE/WHITE** - Low beam

Leave any un-used inputs and outputs un-connected & taped over to prevent shorts. During installation, it will be necessary to ensure the headlights have separate wires to allow them to operate independently.



WIRING EXAMPLES

