

The Redarc BMS. You'll wonder how you ever managed without it.

Five devices in one:

- MPPT solar regulator
- In-vehicle battery charger
- 240 volt AC battery charger
- Dual battery isolator
- Remote battery monitor

THE POWER OF

REDARC[®]

The REDARC BMS Battery Management System is a complete battery charging and maintenance solution for recreational automotive and marine applications.

It incorporates AC mains, DC vehicle and DC solar inputs to achieve the best charge to an auxiliary battery in your caravan or camper trailer.

The BMS includes a remote battery monitor designed to give you battery information and charge status along with critical system information, while charging is in progress.

Benefits

- Keep your auxiliary batteries charged from 240 volt mains power, your car battery and solar panels
- Saves you money by reducing installation time and extending battery life
- Fully charges the four main battery types commonly used in today's vehicles
- Won't leave you stranded with a flat battery
- Designed for Australia's harsh conditions

BMS
WITH MPPT
SOLAR
REGULATOR



MADE IN AUSTRALIA

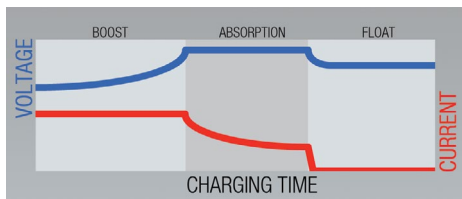


Features and benefits

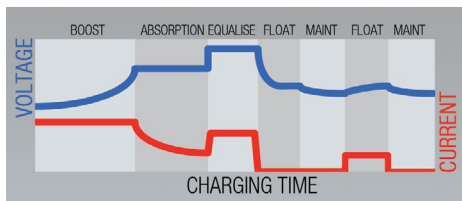
- The BMS has no fan, it is super quiet and very reliable.
- Multi-stage DC-DC charging enables fast, 100% charging of your auxiliary battery, even if it has different chemical characteristics from the vehicle battery. The input voltage can be above, equal to or below the output voltage.
- The BMS features a Maximum Power Point Tracking regulator (MPPT) to maximise the power output from your solar panels, even in low sunlight conditions.
- An easy-to-operate, remote liquid crystal display (LCD) lets you know how full the battery is and how much longer it will need to achieve full charge.
- The BMS has undergone stringent safety, environmental and electrical testing. In-built safety features include, non-sparking battery connection, reverse polarity protection without fuses and short circuit protection.
- To protect the vehicle battery from going flat, the unit disconnects automatically from the vehicle battery.
- Separate battery temperature sensor for automatic temperature compensation and cut-out.
- Sophisticated fault detection monitors the battery condition during all stages of charge, keeping you and your caravan/camper/RV safe.

Multi-stage charging modes

The touring mode will charge your battery to its optimal level whilst allowing you to run loads from the battery. Use the touring mode when travelling.



The storage mode is designed to keep your auxiliary batteries charged whilst your caravan/camper is in storage. It incorporates equalise and maintenance stages to condition your battery.

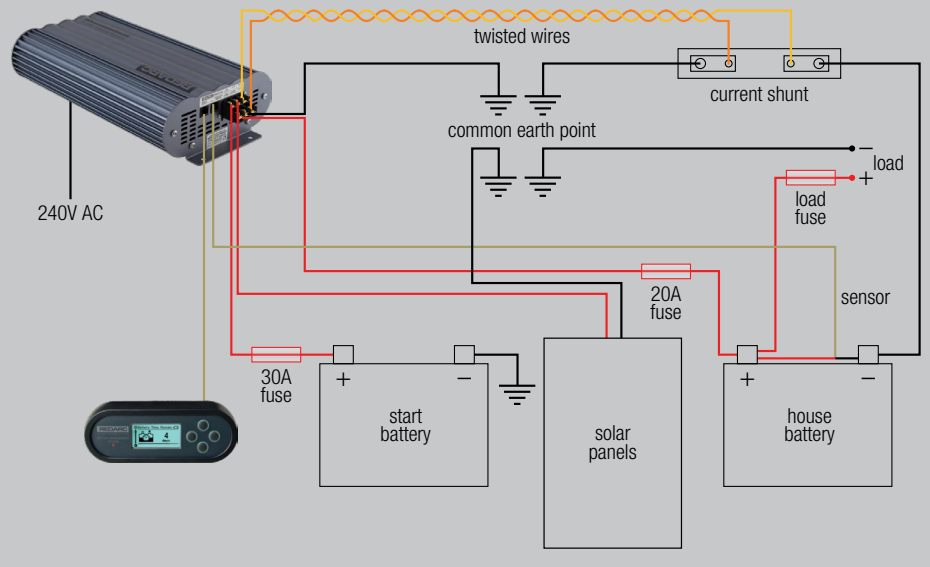


All the information you'll ever need!

The BMS remote display screen is designed to provide useful information to the user. Rather than simply displaying battery voltage and current figures, the BMS remote uses these figures to calculate, based on your power usage, how much power you have remaining in hours and days.

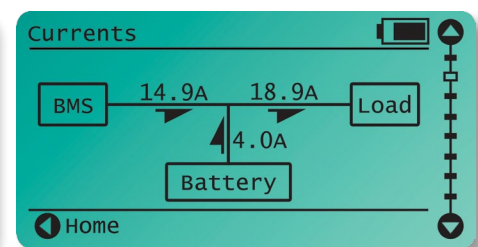
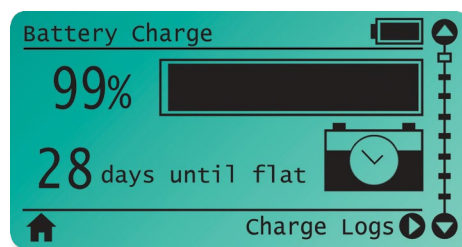
The BMS remote can also tell you graphically where the power from your BMS is being distributed.

BMS1215 standard installation



Specifications

Part number	BMS1215S2		
Charging mode	Storage mode	Touring mode	
GEL setting (max)	14.4V	14.4V	
AGM setting (max)	14.4V	14.4V	
Calcium setting (max)	16.0V	15.2V	
Standard lead acid (max)	15.5V	14.8V	
Output power	260W		
Operating temperature (max)	55°C		
Main unit dimensions	350mm x 185mm x 79mm		
Remote dimensions	186mm x 74mm x 29mm		
Kit weight	2.43kg		
C-Tick compliance	EMC-CISPR.11		
Safety compliance	AS/NZS 60335.2.29, AS/NZS 60335.1		
Environmental compliance	RoHS compliant		
Warranty	2 years		



See the REDARC BMS1215S2 Battery Management System at your nearest auto-electrician or 4WD speciality store.



N3533

REDARC Electronics

ABN 77 136 785 092

power@redarc.com.au

23 Brodie Road (North)
Lonsdale, South Australia
Australia 5160

Australia

Phone (08) 8322 4848

Fax (08) 8387 2889

International

Phone +61 8 8322 4848

Fax +61 8 8387 2889

Copyright © 2012 REDARC Electronics Pty Ltd. All rights reserved.
3975-BMS1215-121210

THE POWER OF

REDARC